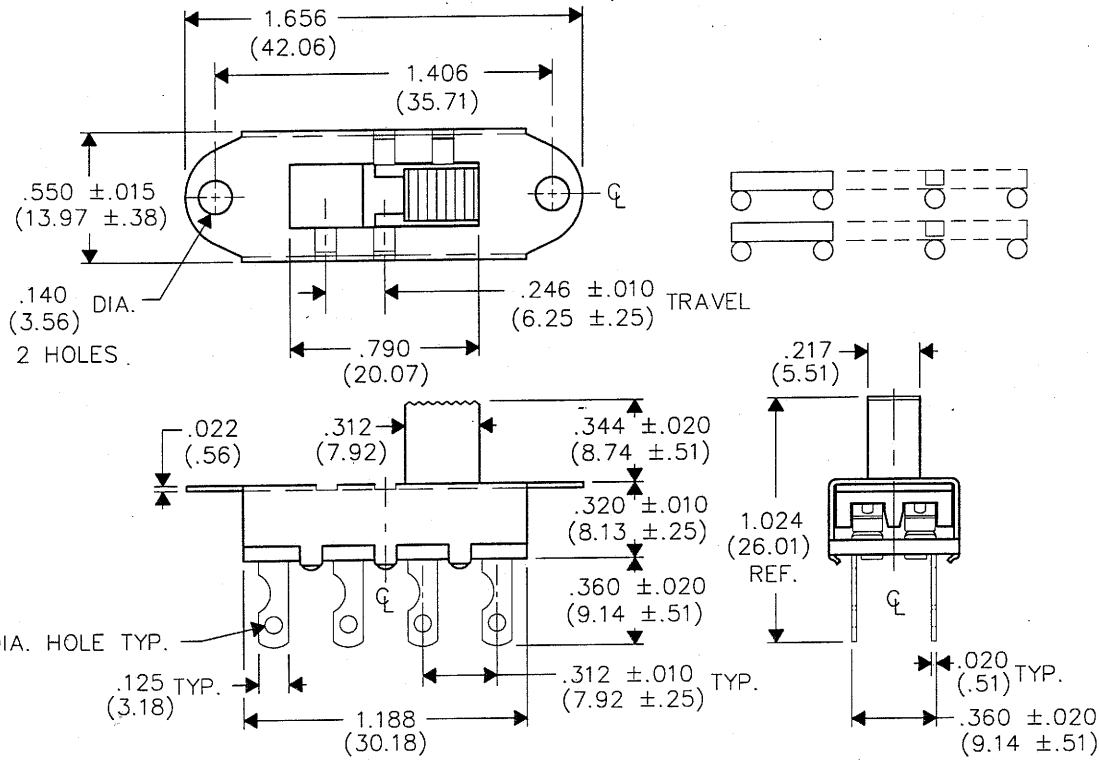


DIMENSIONS IN INCHES (MILLIMETERS)
DO NOT SCALE DRAWING

Dwg. No.
G-328S-0000



E
D
C
B
A

1 2 3 4 5 6 7 8 9 10

FORM-B4
REVISIONS
10
REDRAWN, UPDATED
BUTTON WIDTH FROM .307
TO .312.
DCW 6-25-2001
GG

CW INDUSTRIES
Southampton, Pa. 18966

TOLERANCES UNLESS OTHERWISE SPECIFIED	
2 Place Decimal ±.010	METRIC
3 Place Decimal ±.005	1 Place Dec. ±.25mm
Angles ±1'	2 Place Dec. ±.13mm

Made for: CW IND.
Drawn by: DGW 6-25-2001
Checked by: G. Guld 7-3-01
Approval: *[Signature]* 7-3-01

Title:
**SLIDE SWITCH
D.P.- 3 POS.**

Division:
SWITCH

Dwg. No.
G-328S-0000